



PEERLESS FABRIKKERNE (INDIA) LTD.

19 SDF 1 SEEPZ

BOMBAY-400096

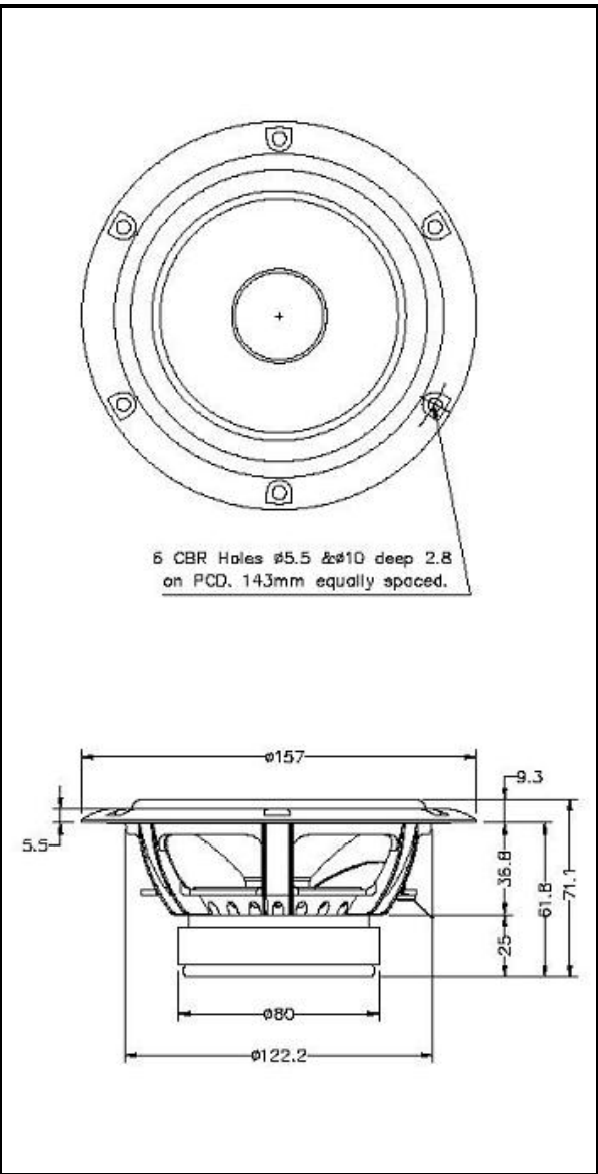
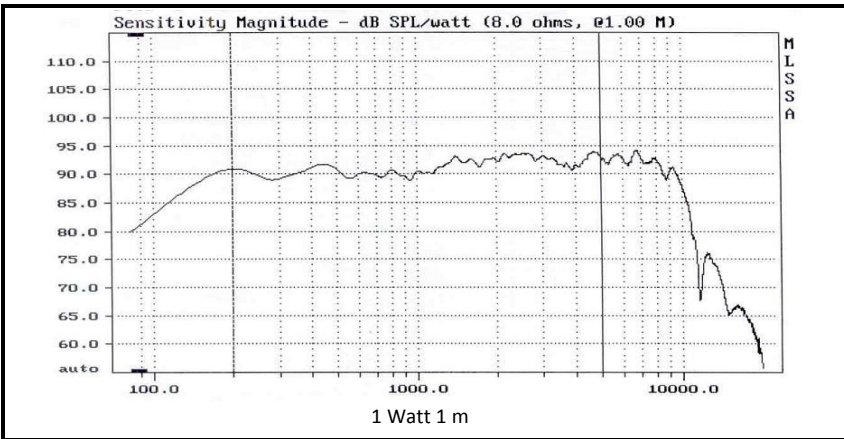
Phone (91-22) 832 9834

Fax : (91-22) 821 4422

Email info@peerlessaudio.com

M13NH-08 Ohms

M13NH



Primary Data			
Nominal Impedence	Z	8	Ohms
* Resonance Frequency	Fs	60	Hertz
* Nominal Power Handling	P	60	Watts
* Sensitivity	E	92.11	dB
Mechanical Data			
Voice coil dia	d	26	mm
* Voice coil height	h	9	mm
* Air gap height	h	5	mm
* Maximum Excursion	Xmax	2	
* Magnet Weight		305	gms
* Magnet Dimension	f x h	80x15	mm
Thiele Small Parameters			
DC Resistance	Re	5.44	Ohms
Compliance	Cms	868	μM/N
Moving Mass	Mms	7.98	g
Mechanical Q	Qms	2.55	
Electrical Q	Qes	0.40	
Total Q	Qts	0.34	
Piston Area	S	95.05	Sq. cm
Force Factor	Bl	6.45	Tm

High fidelity 8 Ohm 5 1/4 inch Woofer

This state of the art model has polymer chassis with required stability and greater flux . It has a coated paper cone which produces a very smooth response and roll off and thus makes it an ideal choice for home theatre systems or other high end systems employing larger motor systems with Kapton voice coil. Because of a special high temperature voice coil the power handling is considerable.

Options

- Magnet sizes available 72x15
- Also available in 4 ohms
- Design assistance available.

Features

- Attractive polymer chassis made from engineering plastics
- Polymer coated paper cone
- High damping durable rubber surround resistant to moisture and UV